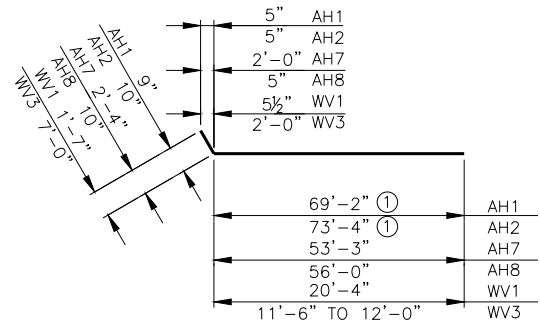
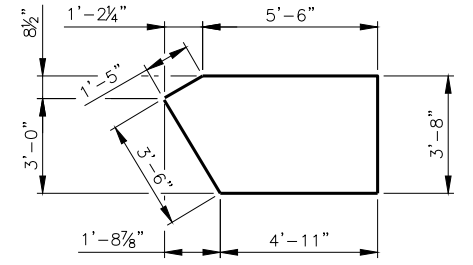


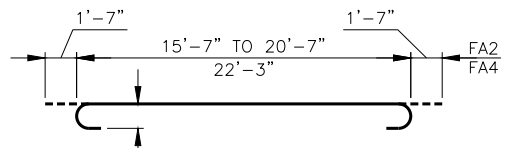
DESCRIPTION	REVISIONS	DATE



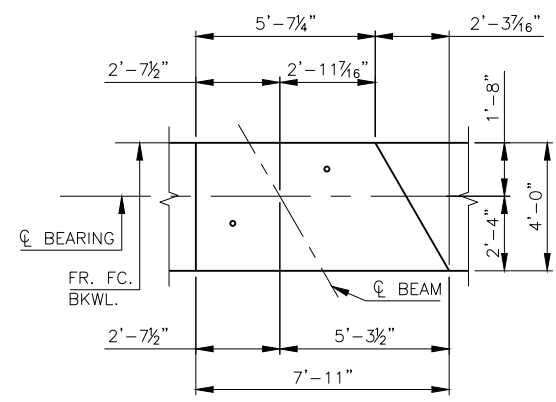
AH1 #5 X 69'-11"
 AH2 #5 X 74'-2"
 AH7 #4 X 55'-7"
 AH8 #5 X 56'-10"
 WV1 #9 X 21'-11"
 WV3 #9 X 18'-9" AVG.
 ① INCLUDES 3'-0" LAP.



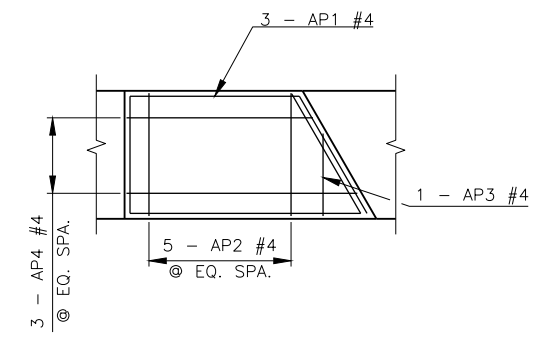
AP7 #4 X 19'-0"



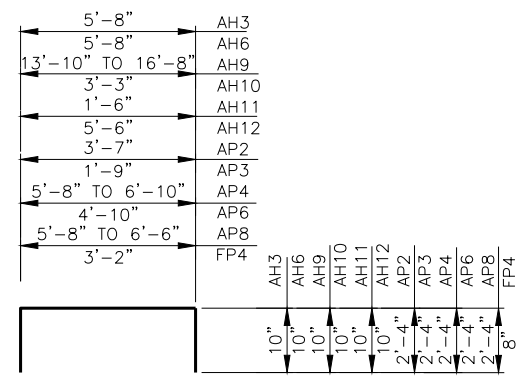
FA2 #11 X 21'-3" AVG.
 FA4 #11 X 25'-5"



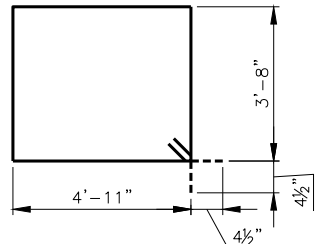
PEDESTAL PLAN
 (PEDESTAL NO. 1)



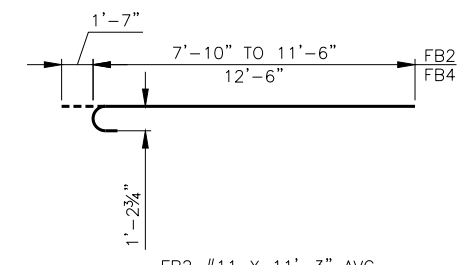
PEDESTAL REINFORCING PLAN
 (PEDESTAL NO. 1)



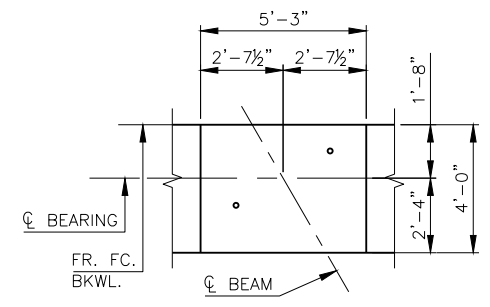
AH3 #4 X 7'-4"
 AH6 #5 X 7'-4"
 AH9 #5 X 16'-11" AVG.
 AH10 #5 X 4'-11"
 AH11 #5 X 3'-2"
 AH12 #5 X 7'-2"
 AP2 #4 X 8'-3"
 AP3 #4 X 6'-5"
 AP4 #4 X 10'-11" AVG.
 AP6 #4 X 9'-6"
 AP8 #4 X 10'-9" AVG.
 FP4 #4 X 4'-6"



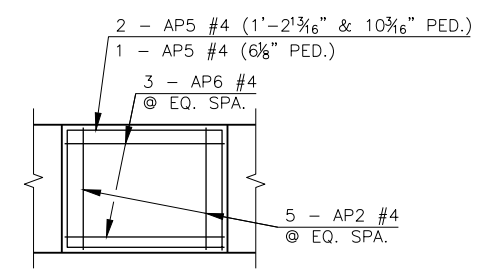
AP5 #4 X 17'-11"



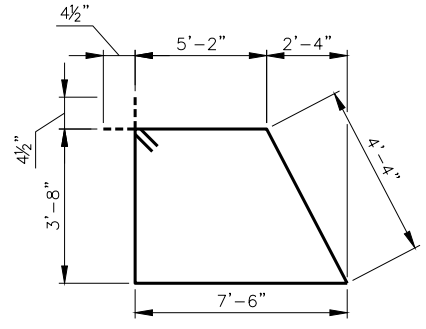
FB2 #11 X 11'-3" AVG.
 FB4 #11 X 14'-1"



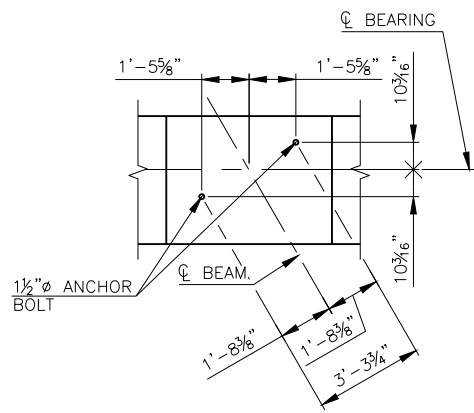
PEDESTAL PLAN
 (PEDESTAL NO. 2-4)



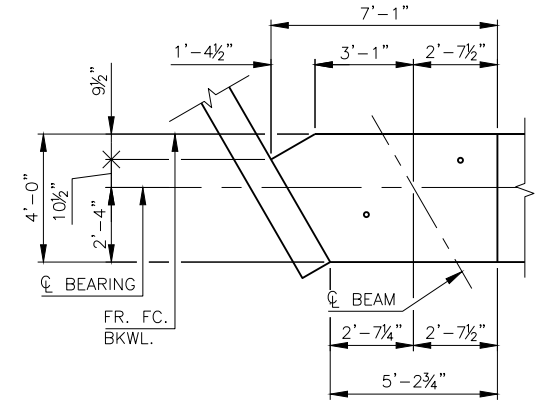
PEDESTAL REINFORCING PLAN
 (PEDESTAL NO. 2-4)



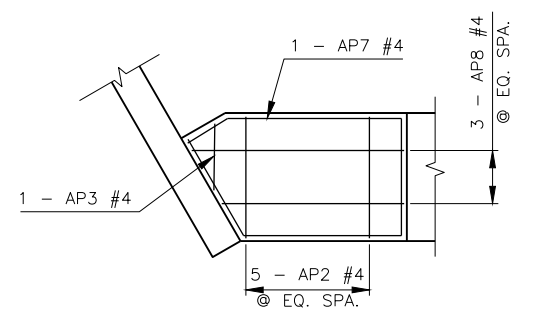
AP1 #4 X 21'-5"



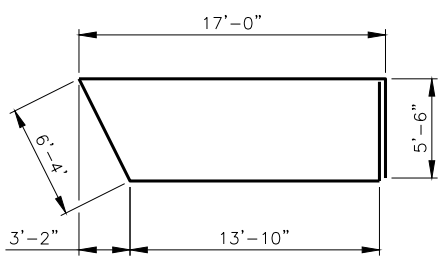
ANCHOR BOLT LAYOUT



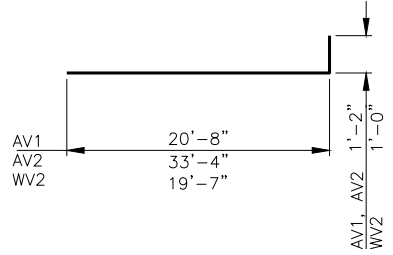
PEDESTAL PLAN
 (PEDESTAL NO. 5)



PEDESTAL REINFORCING PLAN
 (PEDESTAL NO. 5)



AH5 #5 X 48'-2"



AV1 #7 X 21'-10"
 AV2 #7 X 34'-6"
 WV2 #6 X 20'-7"

DESIGN	T.A.C.	OKLAHOMA CITY BLVD.	OKLAHOMA COUNTY
DRAWN	R.A.P.	OVER CLASSEN BLVD.	BRIDGE A
CHECKED	T.A.C.	ABUTMENT NO. 1 - PEDESTALS AND BAR BENDS	
APPROV.	T.A.C.		
SQUAD	CEC		
		JOB PIECE NO. 17428(88)	SHEET NO. 86